

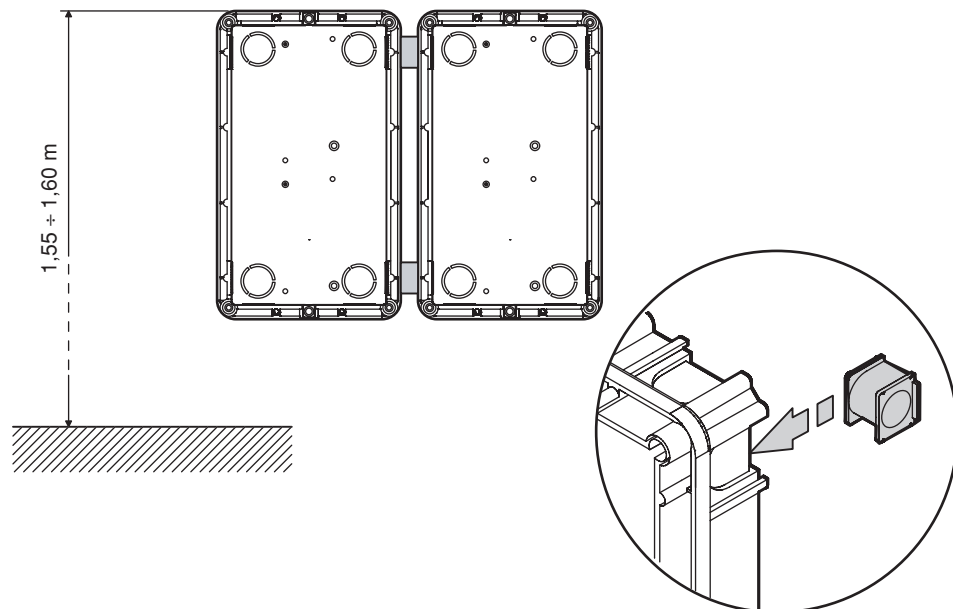
urmet
DOMUS

Sinthesi

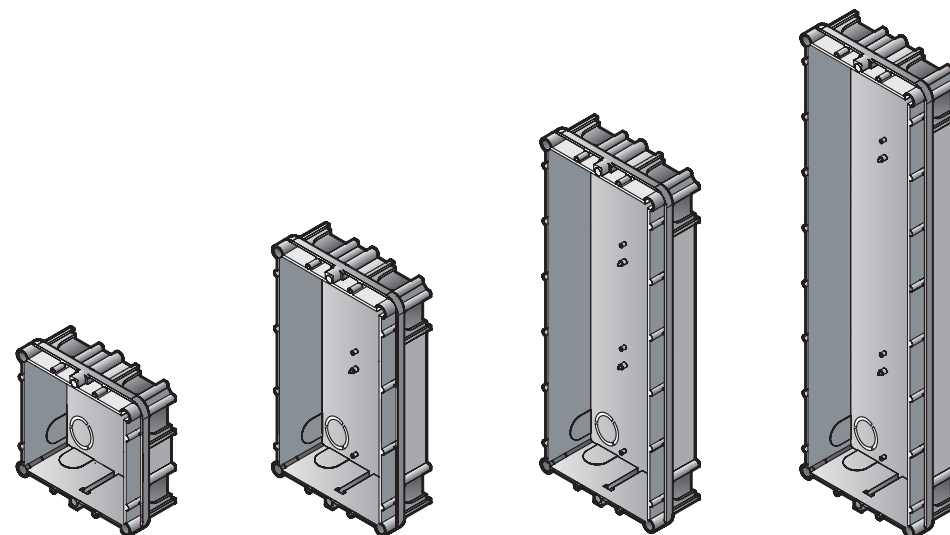
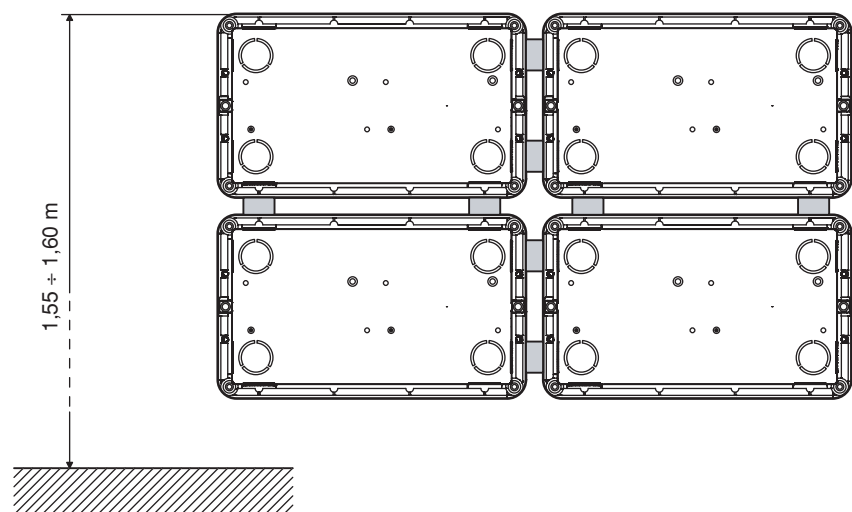
Mod.
1145

DS 1145-001

LBT 7301



SCATOLE INCASSO
EMBEDDING BOXES
BOÎTIERS À ENCASTRER
CAJAS PARA EMPOTRAR
EINBAUGEHÄUSE



DS 1145-001

urmet
DOMUS

LBT 7301

FILIALI

20151 MILANO - Via Gallarate 218
Tel. 02.380.111.75 - Fax 02.380.111.80
00043 CIAMPINO (ROMA) - Via L.Einaudi 17/19A
Tel. 06.791.07.30 - Fax 06.791.48.97

STABILIMENTO

URMET DOMUS S.p.A.
10154 TORINO (ITALY)
VIA BOLOGNA 188/C
Telef. 011.24.00.000 (RIC. AUT.)
Fax 011.24.00.300 - 323
Call Center 011.23.39.801

<http://www.urmetdomus.com>
e-mail: info@urmetdomus.it